

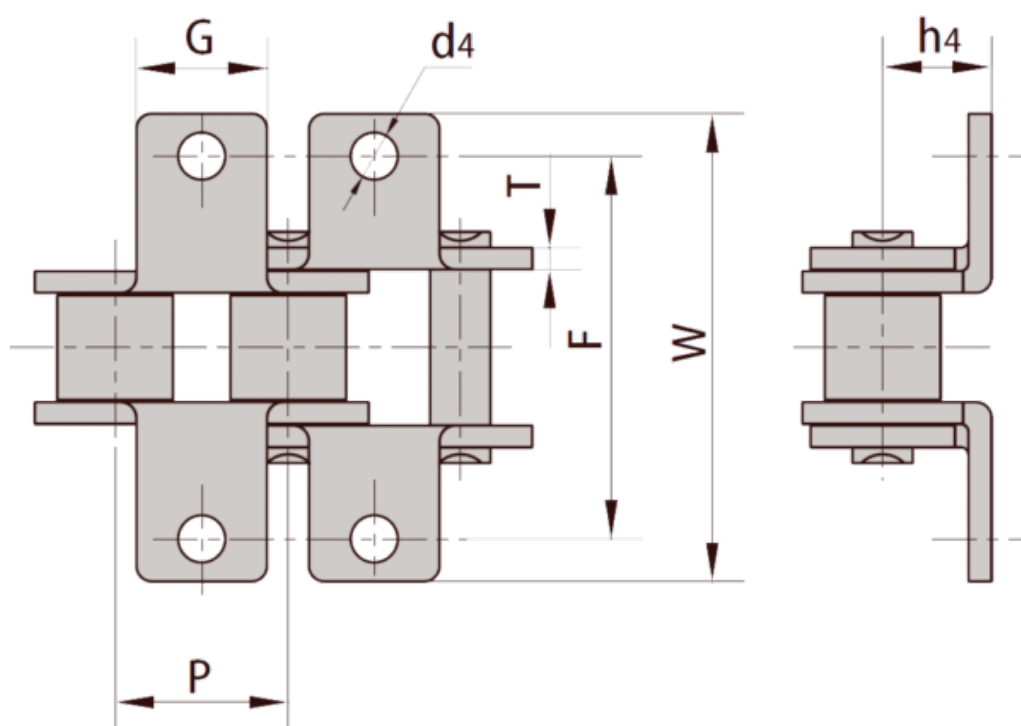
Article number: 6100110041012

Description: 06B1

K1 angled 2 sides, one hole attachment link, spring clip type

## Measures

K1 X 2



d4 = 3.5  
F = 19.04  
G = 8.0  
h4 = 6.50  
P = 9525  
T = 1.30  
W = 27.0